

EC-CUBE ER図 (物理)

version 2.11

2011年3月23日

株式会社ロックオン

店舗基本情報

mtb_pref

id
name
rank

dtb_baseinfo

company_name	TEXT	
company_kana	TEXT	
zip01	TEXT	
zip02	TEXT	
pref	INT2	NOT NULL (FK)
addr01	TEXT	
addr02	TEXT	
tel01	TEXT	
tel02	TEXT	
tel03	TEXT	
fax01	TEXT	
fax02	TEXT	
fax03	TEXT	
business_hour	TEXT	
law_company	TEXT	
law_manager	TEXT	
law_zip01	TEXT	
law_zip02	TEXT	
law_pref	INT2	
law_addr01	TEXT	
law_addr02	TEXT	
law_tel01	TEXT	
law_tel02	TEXT	
law_tel03	TEXT	
law_fax01	TEXT	
law_fax02	TEXT	
law_fax03	TEXT	
law_email	TEXT	
law_url	TEXT	
law_term01	TEXT	
law_term02	TEXT	
law_term03	TEXT	
law_term04	TEXT	
law_term05	TEXT	
law_term06	TEXT	
law_term07	TEXT	
law_term08	TEXT	
law_term09	TEXT	
law_term10	TEXT	
tax	NUMERIC	
id	INT2	NOT NULL (FK)
email01	TEXT	
email02	TEXT	
email03	TEXT	
email04	TEXT	
email05	TEXT	
free_rule	NUMERIC	
shop_name	TEXT	
shop_kana	TEXT	
point_rate	NUMERIC	
welcome_point	NUMERIC	
update_date	TIMESTAMP (6)	NOT NULL
top_tpl	TEXT	
product_tpl	TEXT	
detail_tpl	TEXT	
mypage_tpl	TEXT	
good_traded	TEXT	
message	TEXT	
regular_holiday_ids	TEXT	
latitude	TEXT	
longitude	TEXT	
downloadable_days	NUMERIC	
downloadable_days_unlimited	INT2	

mtb_taxrule

id
name
rank

dtb_holiday

holiday_id	INT4	NOT NULL
title	TEXT	NOT NULL
month	INT2	NOT NULL
day	INT2	NOT NULL
rank	INT4	NOT NULL
creator_id	INT4	NOT NULL
create_date	TIMESTAMP (6)	NOT NULL
update_date	TIMESTAMP (6)	NOT NULL
del_flg	INT2	NOT NULL

dtb_kiyaku

kiyaku_id	INT4	NOT NULL
kiyaku_title	TEXT	NOT NULL
kiyaku_text	TEXT	NOT NULL
rank	INT4	NOT NULL
creator_id	INT4	NOT NULL
create_date	TIMESTAMP (6)	NOT NULL
update_date	TIMESTAMP (6)	NOT NULL
del_flg	INT2	NOT NULL

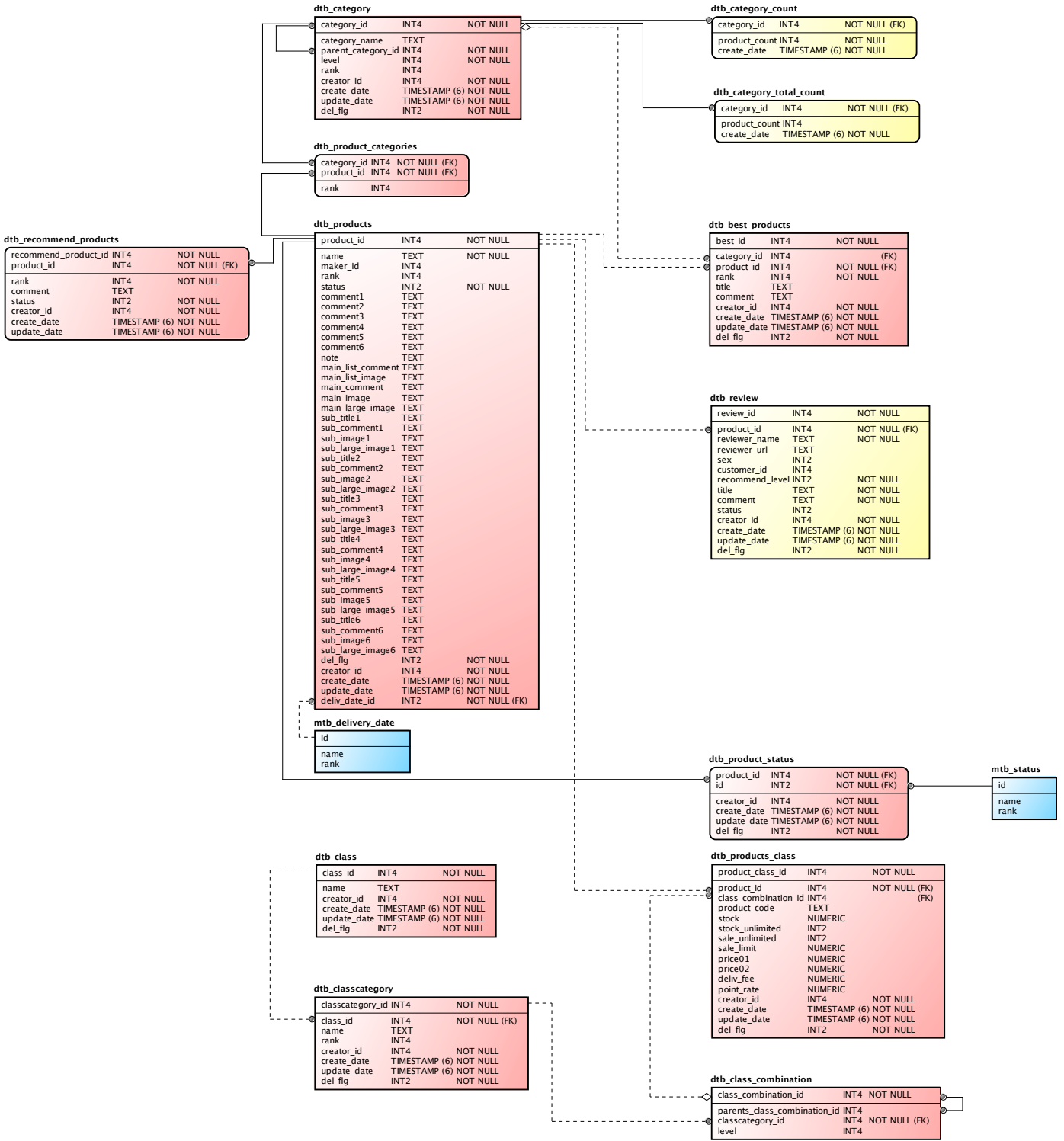
dtb_news

news_id	INT4	NOT NULL
news_date	TIMESTAMP (6)	
rank	INT4	
news_title	TEXT	NOT NULL
news_comment	TEXT	
news_url	TEXT	
news_select	INT2	NOT NULL
link_method	TEXT	
creator_id	INT4	NOT NULL
create_date	TIMESTAMP (6)	NOT NULL
update_date	TIMESTAMP (6)	NOT NULL
del_flg	INT2	NOT NULL

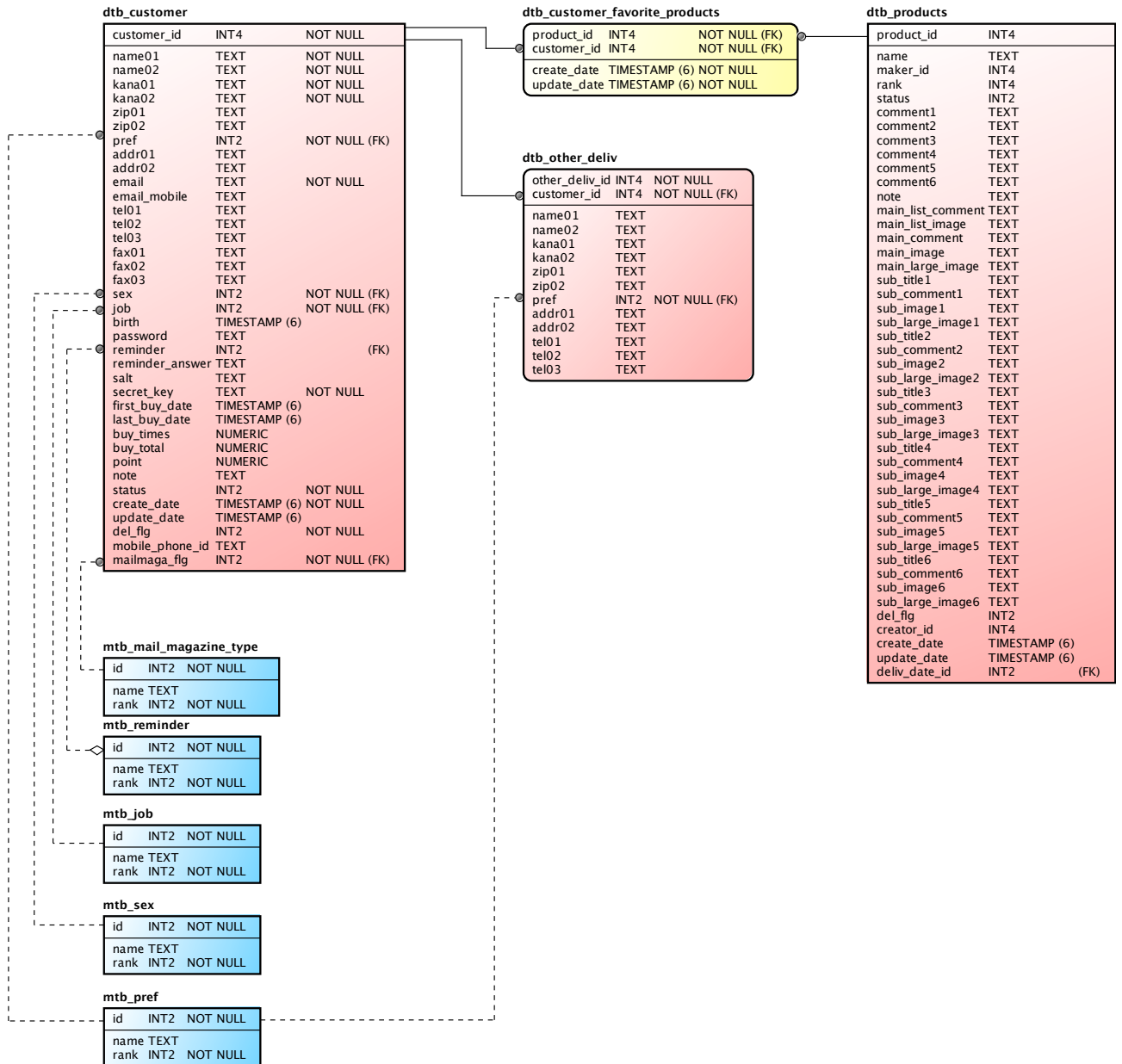
dtb_ownersstore_settings

public_key	TEXT
------------	------

商品関連情報



顧客関連情報



レイアウト関連情報

dtb_templates

template_code	TEXT	NOT NULL
template_name	TEXT	
create_date	TIMESTAMP (6)	NOT NULL
update_date	TIMESTAMP (6)	NOT NULL

mtb_device_type

id	INT2	NOT NULL
name	TEXT	
rank	INT2	

dtb_pagelayout

id	INT2	NOT NULL (FK)
page_id	INT4	NOT NULL
page_name	TEXT	
url	TEXT	NOT NULL
filename	TEXT	
header_chk	INT2	
footer_chk	INT2	
edit_flg	INT2	
author	TEXT	
description	TEXT	
keyword	TEXT	
update_url	TEXT	
create_date	TIMESTAMP (6)	NOT NULL
update_date	TIMESTAMP (6)	NOT NULL

dtb_bloc

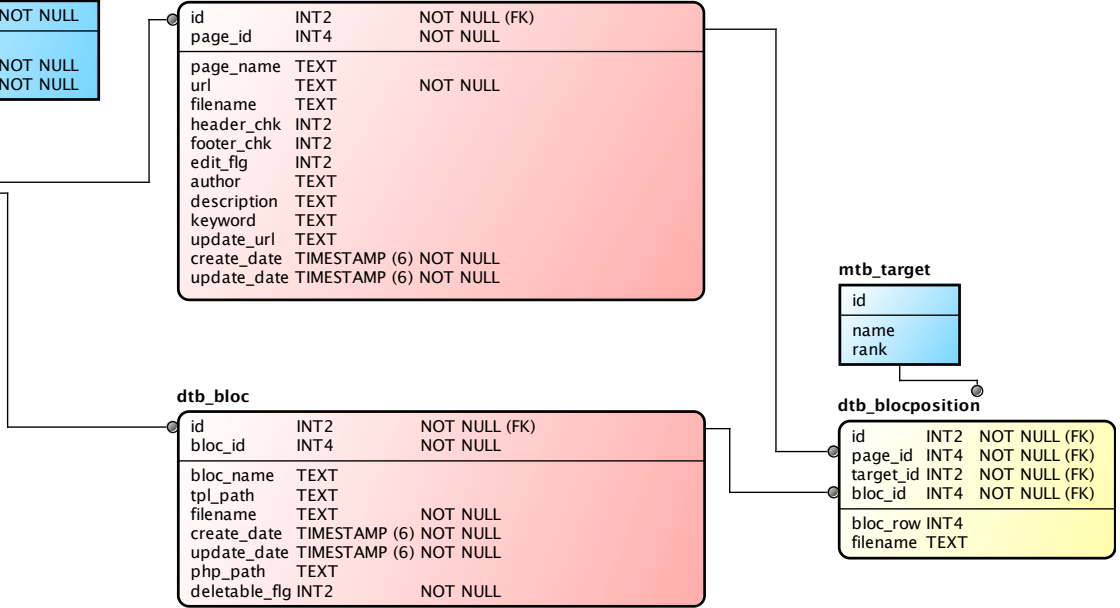
id	INT2	NOT NULL (FK)
bloc_id	INT4	NOT NULL
bloc_name	TEXT	
tpl_path	TEXT	
filename	TEXT	NOT NULL
create_date	TIMESTAMP (6)	NOT NULL
update_date	TIMESTAMP (6)	NOT NULL
php_path	TEXT	
deletable_flg	INT2	NOT NULL

mtb_target

id	
name	
rank	

dtb_blocposition

id	INT2	NOT NULL (FK)
page_id	INT4	NOT NULL (FK)
target_id	INT2	NOT NULL (FK)
bloc_id	INT4	NOT NULL (FK)
bloc_row	INT4	
filename	TEXT	



メール関連情報

dtb_mailtemplate

template_id	INT4	NOT NULL
subject	TEXT	
header	TEXT	
footer	TEXT	
creator_id	INT4	NOT NULL
del_flg	INT2	NOT NULL
create_date	TIMESTAMP (6)	NOT NULL
update_date	TIMESTAMP (6)	NOT NULL

dtb_mailmaga_template

template_id	INT4	NOT NULL
subject	TEXT	
mail_method	INT4	
body	TEXT	
del_flg	INT2	NOT NULL
creator_id	INT4	NOT NULL
create_date	TIMESTAMP (6)	NOT NULL
update_date	TIMESTAMP (6)	NOT NULL

dtb_mail_history

send_id	INT4	NOT NULL
send_date	TIMESTAMP (6)	
template_id	INT4	(FK)
creator_id	INT4	NOT NULL
subject	TEXT	
mail_body	TEXT	
order_id	INT4	(FK)

dtb_order

order_id	
customer_id	(FK)
order_temp_id	(FK)
message	
order_name01	
order_name02	
order_kana01	
order_kana02	
order_email	
order_tel01	
order_tel02	
order_tel03	
order_fax01	
order_fax02	
order_fax03	
order_zip01	
order_zip02	
order_pref	(FK)
order_addr01	
order_addr02	
order_sex	
order_birth	
order_job	(FK)
subtotal	
discount	
deliv_id	(FK)
deliv_fee	
charge	
use_point	
add_point	
birth_point	
tax	
total	
payment_total	
payment_id	(FK)
payment_method	
note	
status	(FK)
create_date	
update_date	
payment_date	
commit_date	
device_type_id	(FK)
del_flg	
memo01	
memo02	
memo03	
memo04	
memo05	
memo06	
memo07	
memo08	
memo09	
memo10	

dtb_send_customer

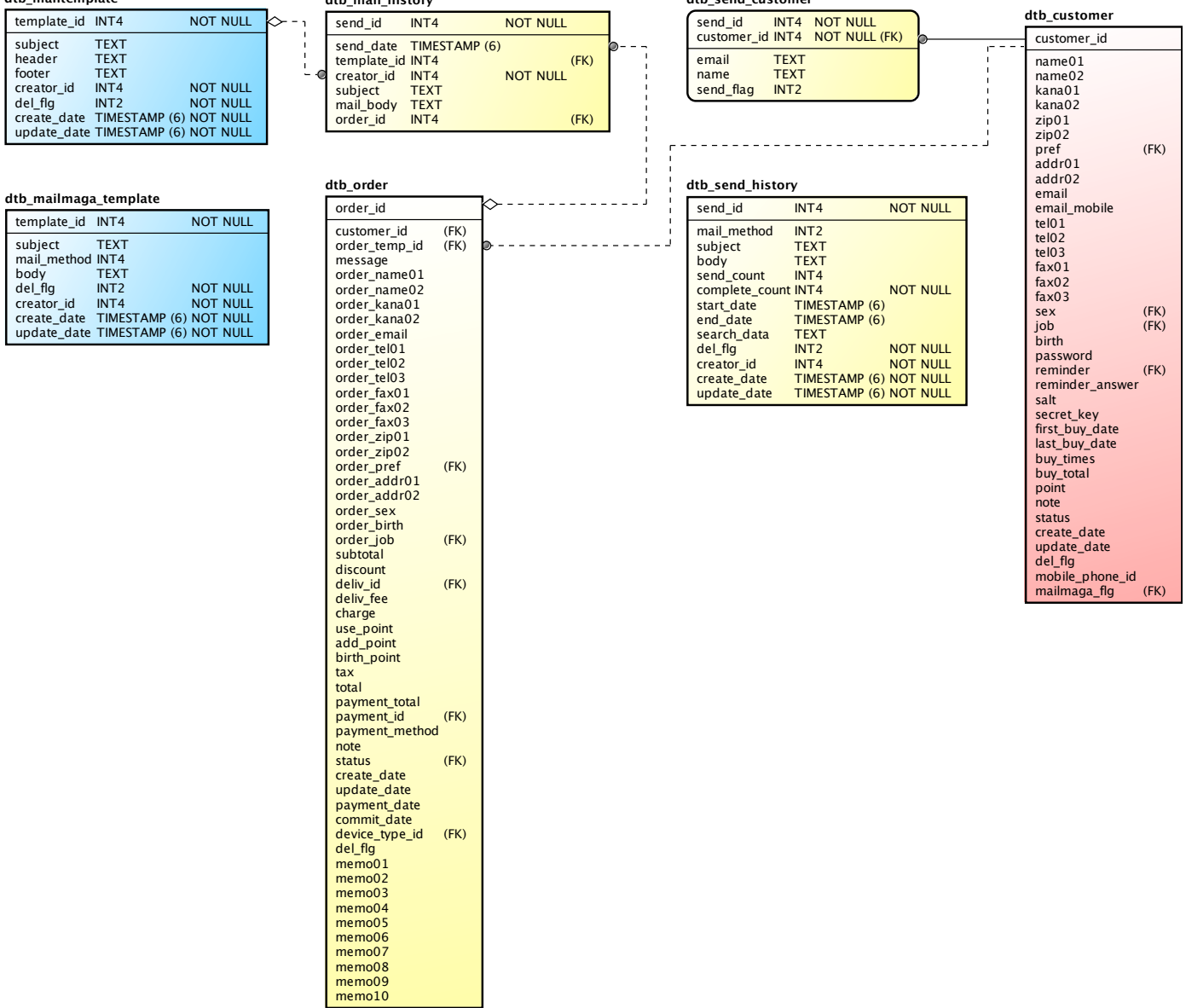
send_id	INT4	NOT NULL
customer_id	INT4	NOT NULL (FK)
email	TEXT	
name	TEXT	
send_flag	INT2	

dtb_customer

customer_id	
name01	
name02	
kana01	
kana02	
zip01	
zip02	
pref	(FK)
addr01	
addr02	
email	
email_mobile	
tel01	
tel02	
tel03	
fax01	
fax02	
fax03	
sex	(FK)
job	(FK)
birth	
password	
reminder	(FK)
reminder_answer	
salt	
secret_key	
first_buy_date	
last_buy_date	
buy_times	
buy_total	
point	
note	
status	
create_date	
update_date	
del_flg	
mobile_phone_id	(FK)
mailmaga_flg	(FK)

dtb_send_history

send_id	INT4	NOT NULL
mail_method	INT2	
subject	TEXT	
body	TEXT	
send_count	INT4	
complete_count	INT4	NOT NULL
start_date	TIMESTAMP (6)	
end_date	TIMESTAMP (6)	
search_data	TEXT	
del_flg	INT2	NOT NULL
creator_id	INT4	NOT NULL
create_date	TIMESTAMP (6)	NOT NULL
update_date	TIMESTAMP (6)	NOT NULL



システム関連情報

dtb_session

sess_id	TEXT	NOT NULL
sess_data	TEXT	
create_date	TIMESTAMP (6)	NOT NULL
update_date	TIMESTAMP (6)	NOT NULL

dtb_mobile_ext_session_id

session_id	TEXT	NOT NULL
param_key	TEXT	
param_value	TEXT	
url	TEXT	
create_date	TIMESTAMP (6)	NOT NULL

dtb_member

member_id	INT4	NOT NULL
name	TEXT	
department	TEXT	NOT NULL
login_id	TEXT	NOT NULL
password	TEXT	NOT NULL
authority	INT2	NOT NULL
rank	INT4	NOT NULL
work	INT2	NOT NULL
del_flg	INT2	NOT NULL
creator_id	INT4	NOT NULL
update_date	TIMESTAMP (6)	
create_date	TIMESTAMP (6)	NOT NULL
login_date	TIMESTAMP (6)	

dtb_csv

no	INT4	NOT NULL
csv_id	INT4	NOT NULL
col	TEXT	
disp_name	TEXT	
rank	INT4	
status	INT2	NOT NULL
create_date	TIMESTAMP (6)	NOT NULL
update_date	TIMESTAMP (6)	NOT NULL
mb_convert_kana_option	TEXT	
size_const_type	TEXT	
error_check_types	TEXT	

dtb_csv_sql

sql_id	INT4	NOT NULL
sql_name	TEXT	NOT NULL
csv_sql	TEXT	
update_date	TIMESTAMP (6)	NOT NULL
create_date	TIMESTAMP (6)	NOT NULL

dtb_module

module_id	INT4	NOT NULL
module_code	TEXT	NOT NULL
module_name	TEXT	NOT NULL
sub_data	TEXT	
auto_update_flg	INT2	NOT NULL
del_flg	INT2	NOT NULL
create_date	TIMESTAMP (6)	NOT NULL
update_date	TIMESTAMP (6)	NOT NULL

dtb_update

module_id	INT4	NOT NULL (FK)
module_name	TEXT	
now_version	TEXT	NOT NULL
latest_version	TEXT	NOT NULL
module_explain	TEXT	
main_php	TEXT	NOT NULL
extern_php	TEXT	NOT NULL
install_sql	TEXT	
uninstall_sql	TEXT	
other_files	TEXT	
del_flg	INT2	NOT NULL
create_date	TIMESTAMP (6)	NOT NULL
update_date	TIMESTAMP (6)	NOT NULL
release_date	TIMESTAMP (6)	NOT NULL

dtb_module_update_logs

log_id	INT4	NOT NULL
module_id	INT4	NOT NULL (FK)
backup_path	TEXT	
error_flg	INT2	
error	TEXT	
ok	TEXT	
create_date	TIMESTAMP (6)	NOT NULL
update_date	TIMESTAMP (6)	NOT NULL

dtb_plugin

plugin_id	INT4	NOT NULL
plugin_name	TEXT	NOT NULL
plugin_code	TEXT	NOT NULL
author	TEXT	NOT NULL
plugin_site_url	TEXT	NOT NULL
plugin_version	TEXT	NOT NULL
plugin_description	TEXT	NOT NULL
plugin_setting_path	TEXT	NOT NULL
class_name	TEXT	NOT NULL
status	INT2	NOT NULL
enable	INT2	NOT NULL
del_flg	INT2	NOT NULL
create_date	TIMESTAMP (6)	NOT NULL
update_date	TIMESTAMP (6)	NOT NULL

マスタテーブル

mtb_allowed_tag

id	INT2
name	TEXT
rank	INT2

mtb_order_status_color

id	INT2
name	TEXT
rank	INT2

mtb_ownersstore_err

id	TEXT
name	TEXT
rank	INT2

mtb_mail_magazine_type

id	INT2
name	TEXT
rank	INT2

mtb_page_rows

id	INT2
name	TEXT
rank	INT2

mtb_status_image

id	INT2
name	TEXT
rank	INT2

mtb_taxrule

id	INT2
name	TEXT
rank	INT2

mtb_delivery_date

id	INT2
name	TEXT
rank	INT2

mtb_product_list_max

id	INT2
name	TEXT
rank	INT2

mtb_ownersstore_ips

id	TEXT
name	TEXT
rank	INT2

mtb_product_status_color

id	INT2
name	TEXT
rank	INT2

mtb_review_deny_url

id	TEXT
name	TEXT
rank	INT2

mtb_work

id	INT2
name	TEXT
rank	INT2

mtb_disp

id	INT2
name	TEXT
rank	INT2

mtb_reminder

id	INT2
name	TEXT
rank	INT2

mtb_mail_tpl_path

id	INT2
name	TEXT
rank	INT2

mtb_authority

id	INT2
name	TEXT
rank	INT2

mtb_target

id	INT2
name	TEXT
rank	INT2

mtb_magazine_type

id	INT2
name	TEXT
rank	INT2

mtb_wday

id	INT2
name	TEXT
rank	INT2

mtb_db

id	INT2
name	TEXT
rank	INT2

mtb_mail_type

id	INT2
name	TEXT
rank	INT2

mtb_permission

id	TEXT
name	TEXT
rank	INT2

mtb_class

id	INT2
name	TEXT
rank	INT2

mtb_mobile_domain

id	INT2
name	TEXT
rank	INT2

mtb_job

id	INT2
name	TEXT
rank	INT2

mtb_device_type

id	INT2 NOT NULL
name	TEXT
rank	INT2

mtb_product_type

id	INT NOT NULL
name	TEXT
rank	INT

mtb_pref

id	INT2
name	TEXT
rank	INT2

mtb_recommend

id	INT2
name	TEXT
rank	INT2

mtb_disable_logout

id	INT2
name	TEXT
rank	INT2

mtb_status

id	INT2
name	TEXT
rank	INT2

mtb_sex

id	INT2
name	TEXT
rank	INT2

mtb_mail_template

id	INT2
name	TEXT
rank	INT2

mtb_page_max

id	INT2
name	TEXT
rank	INT2

mtb_order_status

id	INT2
name	TEXT
rank	INT2

mtb_zip

code	TEXT
old_zipcode	TEXT
zipcode	TEXT
state_kana	TEXT
city_kana	TEXT
town_kana	TEXT
state	TEXT
city	TEXT
town	TEXT
flg1	TEXT
flg2	TEXT
flg3	TEXT
flg4	TEXT
flg5	TEXT
flg6	TEXT

mtb_constants

id	TEXT
name	TEXT
rank	INT2
remarks	TEXT

This file is part of EC-CUBE

Copyright(c) 2000-2011 LOCKON CO.,LTD. All Rights Reserved.

<http://www.lockon.co.jp/>

This program is free software; you can redistribute it and/or modify it under the terms of the GNU General Public License as published by the Free Software Foundation; either version 2 of the License, or (at your option) any later version.

This program is distributed in the hope that it will be useful, but WITHOUT ANY WARRANTY; without even the implied warranty of MERCHANTABILITY or FITNESS FOR A PARTICULAR PURPOSE. See the GNU General Public License for more details.

You should have received a copy of the GNU General Public License along with this program; if not, write to the Free Software Foundation, Inc., 59 Temple Place - Suite 330, Boston, MA 02111-1307, USA.